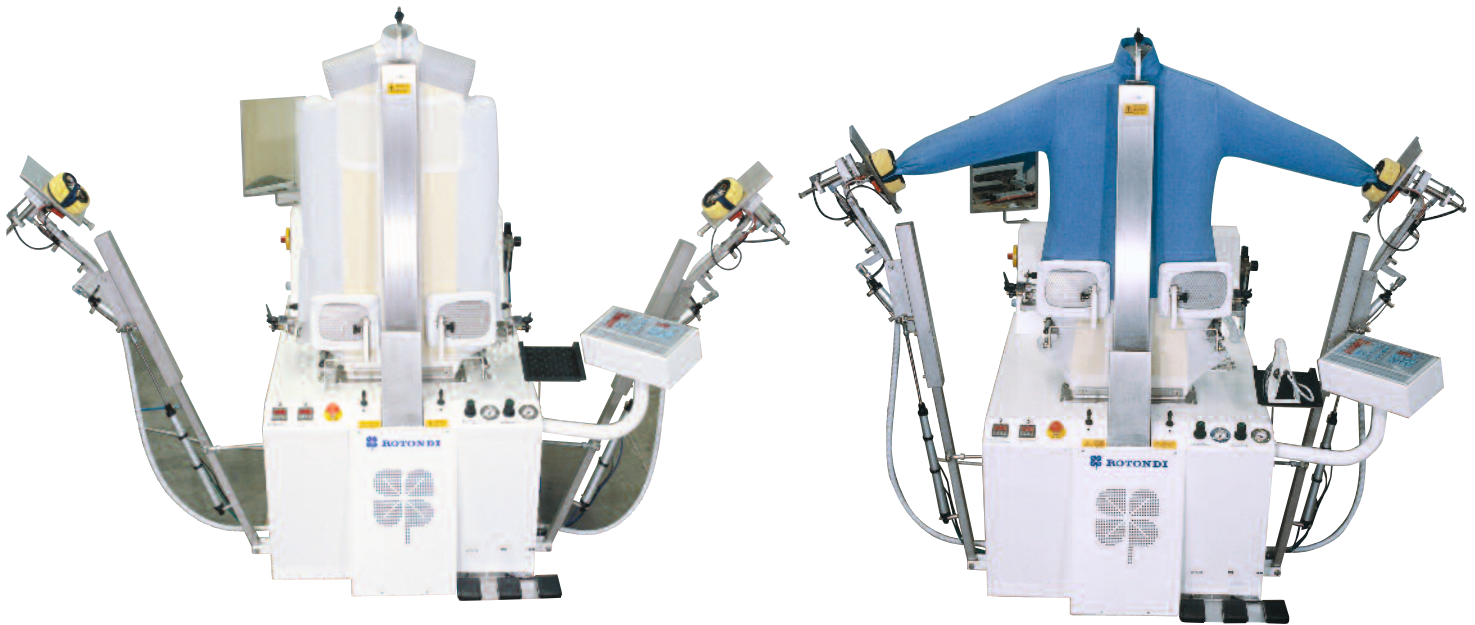




FULLY AUTOMATIC SHIRTS FINISHER

Mod SR 3000



The true alternative for quality and productivity in the ironing finishing of men's and women's shirts

SR-3000V-Steam operated To be connected to centralised steam plant.
Suitable for ironing wet and dry shirts Steam consumption 25 -30 kg/h

SR-3000/E-Electric operation for wet shirts Consumption of electricity 24 KW

- Stainless steel heated form vacuum blowing and steaming (only SR-3000/V).
- Automatic vacuum in the body for easy positioning of the shirt.
- Digital computer for control of all the phases of preparation and ironing functions- 9 programs -with piece metre User friendly software.
- Pneumatic collar blocking.
- Pneumatic opening of shoulders based on size.
- Automatic tensioning of shirt sides.
- Front paddle electronically heated for ironing of front placket with electronic thermostat.
- Front and back pneumatic paddles to block shirt bottom with photocell.
- Steam superheater with electronic thermostat up to 200°C
- Automatic sleeve tensioning.
- Blowing motor at 2,2 KW-3 HP. Separate vacuum motor at 0,55KW -0,75HP
- Blowing quantity adjustable electronically.
- EC-2002 iron with stainless steel plate for ironing shirt pockets.

Options:

- JOY -Joystick for automatic positioning of short-sleeve and long-sleeve clamps
- Automatic discharge device from the shoulders or from the hanger.



ProLaundry
Professional Laundry Solutions Scandinavia AB

Lillhagsvägen 106 | 422 43 Hisings Backa
0763-473100 | www.prolaundry.se

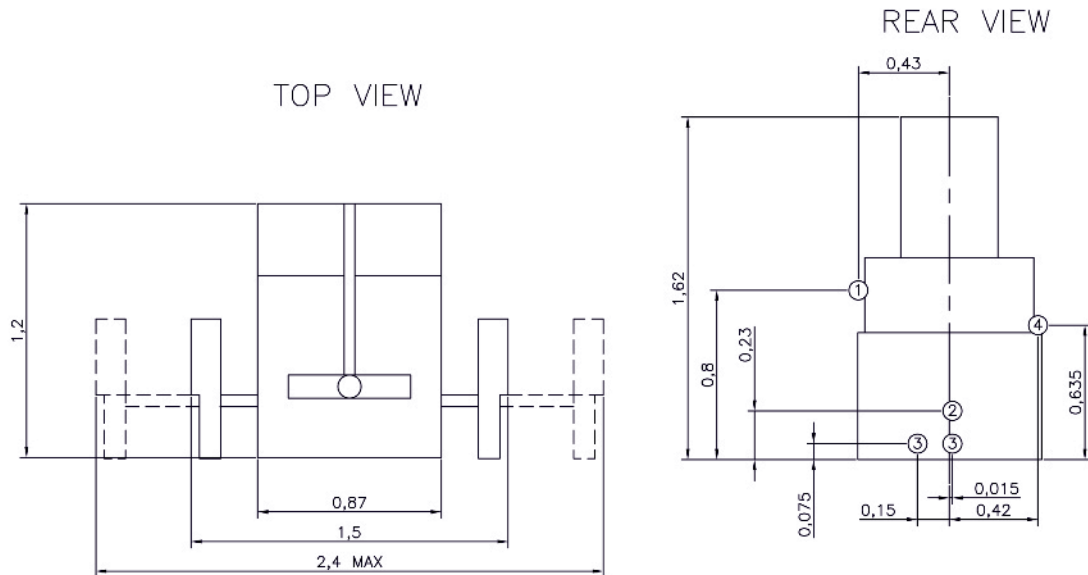


Made in Italy with Italian Fashion Mind



TECHNICAL FEATURES SR 3000

Electric Connections		Mod SR 3000 V	Mod SR 3000 E
Standard voltage			
400V-3Ph-50Hz	kW	6	25
other voltages available on request			
Vacuum and blowing fan power	kW	2	2
Super heating device	kW	1	1
Steam and air connection			
Steam inlet	inch	1/2"	
Steam outlet	inch	1/2"	
Steam supply	Kpa	400 - 600	
Steam consumption	kg/h	35-40	
Compressed Air inlet	inch	1/4"	1/4"
Compressed Air supply	Kpa	600-800	600-80
Shipping details			
Packing type		Pallet+carton box	Pallet+carton box
Packing size	mm	1800 x 1500 x 2000H	1800 x 1500 x 2000H
Net weight	kg	250	250
Gross weight	kg	300	300



④	ELECTRIC POWER	--
③	CONDENSATION RETURN	1/2" F
②	STEAM	1/2" F
①	AIR INLET	∅ 8mm



ROTONDI group Srl
 Via Fratelli Rosselli, 14/16
 20019 Settimo Milanese (Milano) - Italia
 Tel. (+39) 02.335.01.224 - Fax (+39) 02.335.01.329
 E-mail: rotondi@rotondigroup.it
www.rotondigroup.com

Agente:
ProLaundry
 Professional Laundry Solutions Scandinavia AB
 Lillhagsvägen 106 | 422 43 Hisings Backa
 0763-473100 | www.prolaundry.se