



ROTARY FINISHING CABINET



MOD 1100-1124 SERIES



Feature and strength

- Even distribution of steam all over the cabin moistens the fabric to remove creases
- Hot air blowing operation dries the fabric
- Jacket finishing device with extending shoulder, shapes and support the garments
- Automatic start on door closing, simplifies the operation
- Range of sleeves and clamps for better garment tensioning
- Trouser waist and legs expander for accessories
- Time switch programmed through digital electronic control panel, available to set till 20 different working cycles installation

Main options

- additional finishing and trouser devices for high production
- Multiple hanger device enables conditioning hanged garments
- Side support for additional finishing device
- Additional side holding frame
- Built-in steam boiler simplifies
- Built-in ventilator fan 1 or 1,5 Hp for easy installation

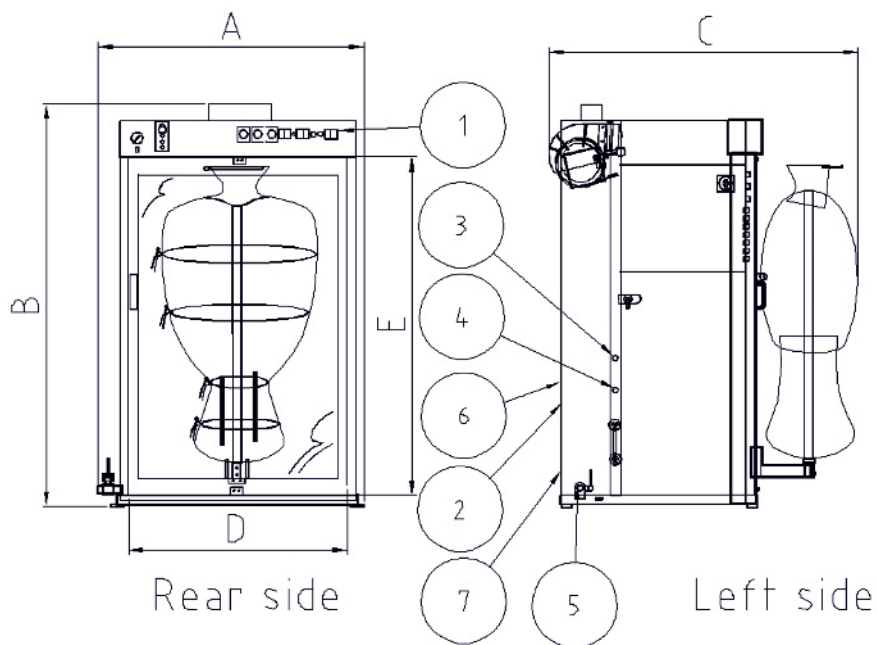


Made in Italy with Italian Fashion Mind



TECHNICAL FEATURES ROTARY FINISHING CABINET

Electric Connections		Mod 1100	Mod 1124
Standard voltage			
380-415V-3Ph-50/60Hz	kW	0,750	0,750
	12 kW	-	13,5
	15 kW	-	16,5
	18 kW	-	19,5
Steam and air connection			
Steam pressure	bar	5	5
Steam consuption	kg/h	20/25	-
Compressed air	bar	6	6
Air consumption	m ³ /h	1	1
Water inlet	inch	-	3/8
Water outlet, drainage	inch	-	1/2
Steam inlet	inch	1/2	-
Steam outlet condensate	inch	1/2	-
Shipping data			
	Net kg	200	250
	Boxed kg	230	280



ROTONNs group Srl
 Via Fratelli Rosselli, f4/f6
 200f9 Settimo Milanese (Milano) - Italia
 Tel. (+h9) 02.hh5.Of.224 - Fax (+h9) 02.hh5.Of.h29
 E-mailv rotondi@rotondigroup.it
 www.rotondigroup.com

